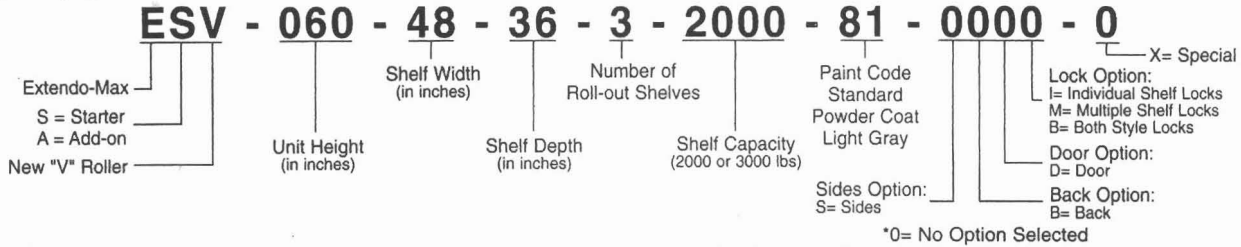




# EXTENDO-MAX 100.V™

## Part Number Explanation

(Example)



## Shelf Dimensions

Model Number	O.A. Height	Shelf Clear.	Number of Roll-out Shelves								
			1	2	3	4	5	6	7	8	9
ESV-060	60 1/4"	M	48 3/8"	22 3/8"	12 3/8"	6 3/8"	8 3/8"	—	—	—	—
		N	—	21"	13"	9"	5"	—	—	—	—
ESV-072	72 1/4"	M	60 3/8"	28 3/8"	16 3/8"	12 3/8"	4 3/8"	10 3/8"	—	—	—
		N	—	27"	17"	11"	9"	5"	—	—	—
ESV-084	84 1/4"	M	72 3/8"	34 3/8"	20 3/8"	12 3/8"	8 3/8"	12 3/8"	12 3/8"	2 3/8"	—
		N	—	33"	21"	15"	11"	7"	5"	5"	—
ESV-096	96 1/4"	M	84 3/8"	40 3/8"	24 3/8"	18 3/8"	12 3/8"	4 3/8"	12 3/8"	14 3/8"	4 3/8"
		N	—	39"	25"	17"	13"	11"	7"	5"	5"
ESV-108	108 1/4"	M	96 3/8"	46 3/8"	28 3/8"	18 3/8"	16 3/8"	6 3/8"	12 3/8"	12 3/8"	16 3/8"
		N	—	45"	29"	21"	15"	13"	9"	7"	5"
ESV-120	120 1/4"	M	108 3/8"	52 3/8"	32 3/8"	24 3/8"	20 3/8"	8 3/8"	12 3/8"	10 3/8"	12 3/8"
		N	—	51"	33"	23"	17"	15"	11"	9"	7"

Chart gives shelf clearance for units with equally spaced shelves.

(Note: some clearances at top may be less than or greater than other shelf spacings.

See M dimension.)

**Note:** Tie brace at center of 8', 9' and 10' high units uses 1 1/4" of available shelf clearance.

Outlined area indicates standard number of shelves.

### \* Standard Models S or A

E\_V-060-36-36-3  
E\_V-060-36-48-3  
E\_V-060-48-36-3  
E\_V-060-48-48-3

E\_V-072-36-36-3  
E\_V-072-36-48-3  
E\_V-072-48-36-3  
E\_V-072-48-48-3

E\_V-084-36-36-4  
E\_V-084-36-48-4  
E\_V-084-48-36-4  
E\_V-084-48-48-4

E\_V-096-36-36-5  
E\_V-096-36-48-5  
E\_V-096-48-36-5  
E\_V-096-48-48-5

E\_V-108-36-36-5  
E\_V-108-36-48-5  
E\_V-108-48-36-5  
E\_V-108-48-48-5

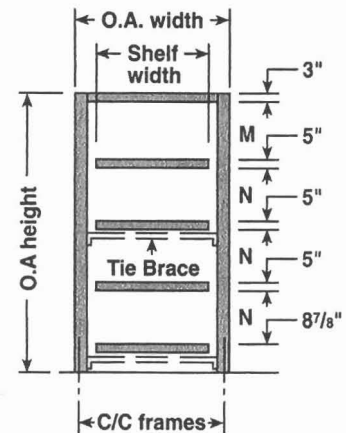
E\_V-120-36-36-6  
E\_V-120-36-48-6  
E\_V-120-48-36-6  
E\_V-120-48-48-6

## Frame Centerline Dimensions

C to C of 36" wide unit =  
(shelf width 36" + 5 7/16") 3' - 5 7/16"

C to C of 48" wide unit =  
(shelf width 48" + 5 7/16") 4' - 5 7/16"

O.A. width = centerline + 3"



\* Note: When specifying size, always state width first, depth second.